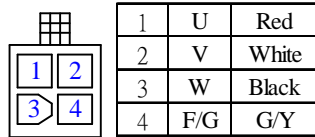
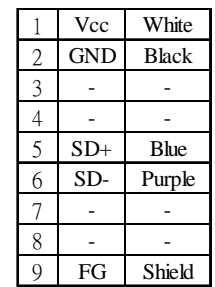


Model: JSMA-PBC01A3KB

No.	Item	Symbol	Unit	Specification	No.	Item	Symbol	Unit	Specification
1	Drive	-	-	3 ϕ 220 VAC	13	Rotor Inertia	J-M	kg-cm ²	0.089 \pm 10%
2	Cooling Method	-	-	Totally Enclosed	14	Rated Power Rate	Q-R	Kw/s	11.51
3	Exciting Method	-	-	Permanent Magnet	15	Resistance	Ra	Ω	24 \pm 10%/2 ϕ
4	Resolution	-	-	23 bit-INC	16	Inductance	L	mH	22 \pm 10%
5	Rated Output	P-R	W	100	17	Mech. Time Constant	Tm	ms	2.21 \pm 10%
6	Rated Torque	T-R	N-m	0.32	18	Elect. Time Constant	Te	ms	0.92 \pm 10%
7	Max. Torque	T-max	N-m	0.95	19	Insulation Class	-	-	Class F
8	Rated Speed	N-R	rpm	3000	20	Operation Temp.	T	$^{\circ}$ C	0~40
9	Rated Current	I-R	A	0.9	21	Operation Humd.	RH	%	<80
10	Max. Current	I-max	A	2.7	22	Storage Temp.	T	$^{\circ}$ C	-20'~60'
11	Torque Constant	Kt	N-m/A	0.35 \pm 10%	23	Storage Humd.	RH	%	<80
12	Back emf(at 1000rpm)	Vemf	Volts	25 \pm 10%	24	Weight	W	kgw	0.7



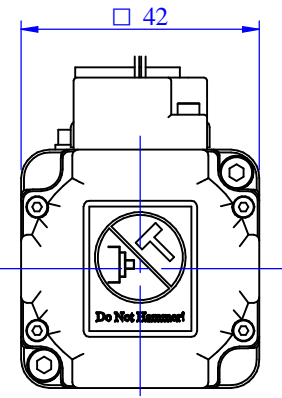
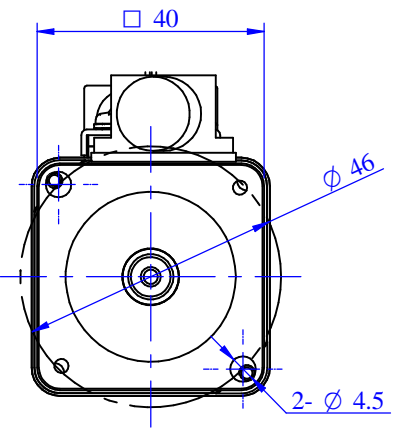
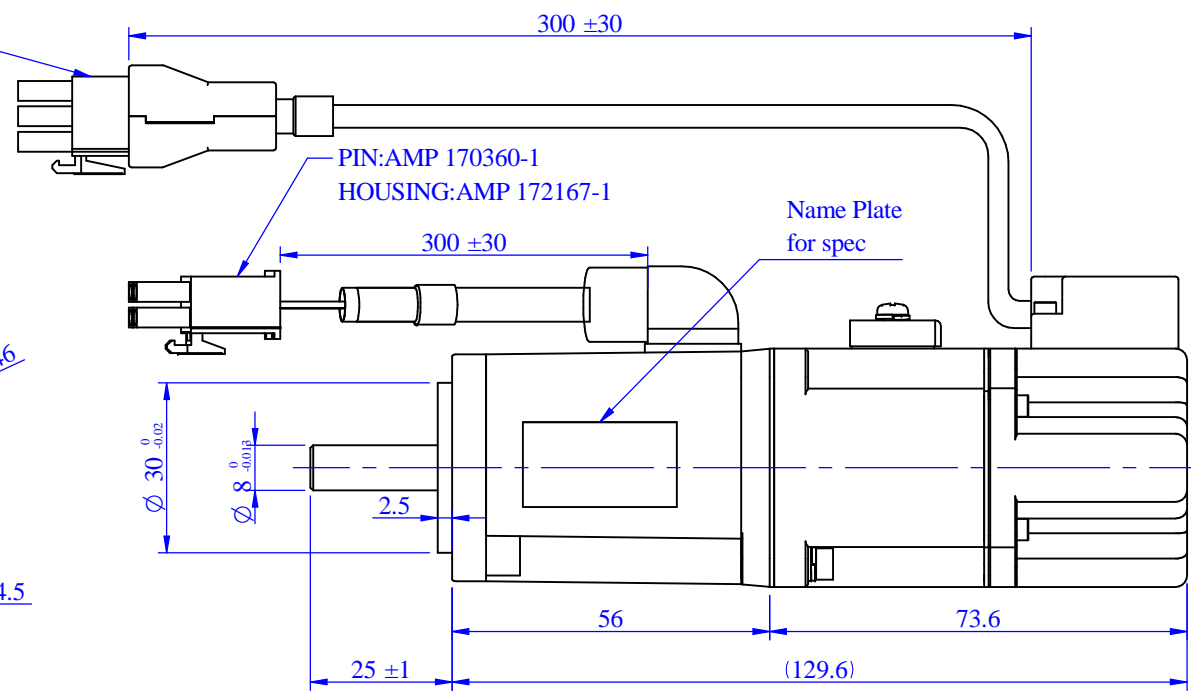
Motor Connection



Encoder Connection

AC SERVO MOTOR
 Model: JSMA-PBC01A3KB
 Pr: 0.1 KW ; Nr: 3000 rpm
 Ir: 0.9 A , Tr: 0.32 N-m
 NO.
TECO ELECTRIC & MACHINERY CO., LTD.
 MADE IN TAIWAN

PIN:AMP 770835-1
 HOUSING:AMP 172169-1



STANDARD TOLERANCE					APVD			SCALE		UNIT	m m	NAME	SERVO MOTOR OUTLINE DRAWING	
X	\pm 0.5				CHKD			3RD .A.P		TITLE	JSMA-PBC01A3KB			
.X	\pm 0.2				CHKD									
.XX	\pm 0.05				DWN	Leon	04-08-'16			TECO ELECTRO DEVICES CO., LTD.	Dept. Design	DWG.NO.	D01E04101C3BZ3D01	
ANGLE	\pm 30'													
MATERIAL		REV	DESCRIPTION	SIGNATURE	DATE	SIGNATURE	DATE							